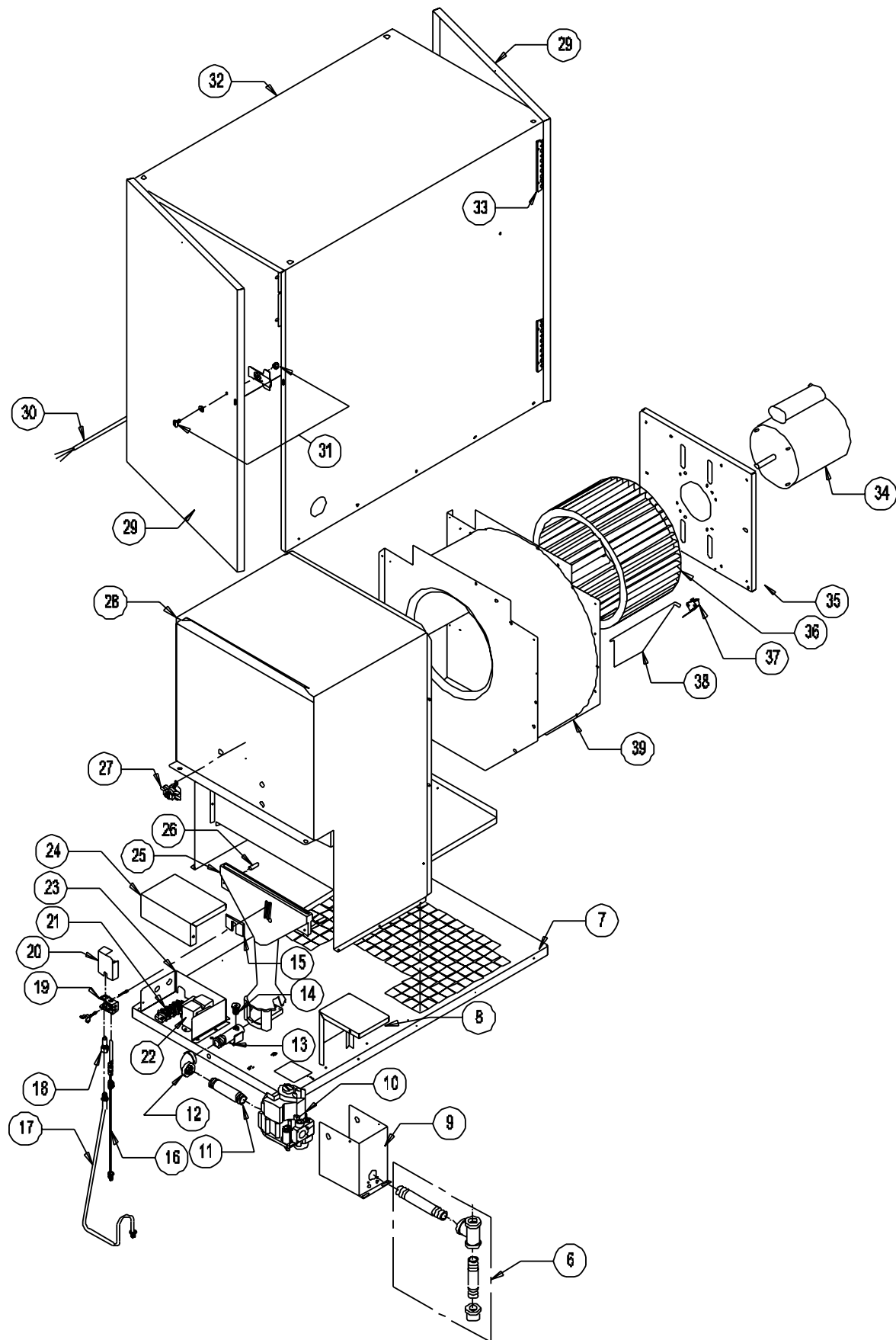


# Parts Identification

## PARTS SCHEMATIC



---

**PARTS LIST**

<b>Item</b>	<b>Description</b>	<b>Part No.</b>
6	Kit, Sediment Trap	00815
7	Base	21051
8	Cover, Gas Control Valve	09287
9	Bracket, Gas Control Valve	09506
10	Valve, Gas Control (L.P. Gas)	22219
	Valve, Gas Control (Natural Gas)	22221
11	Nipple	07148
12	Elbow	01426
13	Manifold	09291
14	Orifice, Burner (L.P. Gas)	20049
	Orifice, Burner (Natural Gas)	21113
15	Gasket, Pilot (Natural Gas)	06974
16	Thermocouple, 750 mm	21196
17	Tubing, Pilot with Nuts	21126
18.	Orifice, Pilot (L.P. Gas)	07829
	Orifice, Pilot (Natural Gas)	06968
19.	Bracket, Pilot Burner	07831
20.	Shield, Pilot Barrel Assembly	21128
21.	Terminal Block (5 position)	08253
22.	Transformer, 240/24 VAC	20045
23.	Enclosure, Electrical	20028
24.	Cover, Electrical	20027
25.	Burner	03453
26.	Spacer	02687
27.	Switch, High Limit	05566
28.	Chamber, Heat	20024
29.	Door, Right or Left	20757
30.	Cord, Power	20359
31.	Latch Assembly	20959
32.	Case, Assembly with Doors and Latches	21129
33.	Hinge	05868
34.	Motor, 187 Watts	20668
35.	Mount, Motor	08647
36.	Fan, Wheel	09050
37.	Switch, Air Flow with Screws and Nuts	02680
38.	Sail, Air Flow	21035
39.	Housing Fan, with Sail, Air Flow Switch and Motor Mount	20250